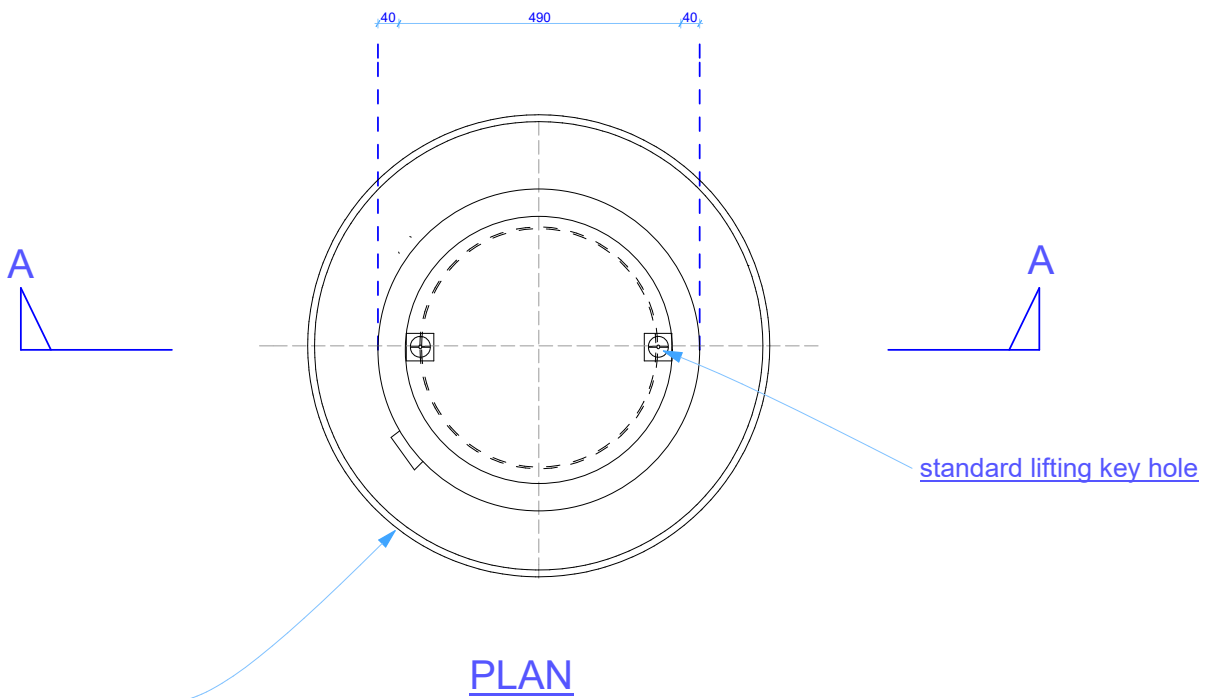


SECTION A---A



standard circular heavy duty frame to B. S. 497 Ref. B4-20

standard lifting key hole

PLAN

Notes

Cover fabricated from 6mm plate grid of 10mm o bars in section A---A or an approved equivalent.

Concrete filling class 20(20)

Tolerance on overall size + 3mm

MASINDE MULIRO UNIVERSITY OF SCIENCE AND TECHNOLOGY
P. O. BOX 190-50100
KAKAMEGA

PROPOSED SEWER LINE OF HUMAN ANATOMY LAB
MANHOLE TYPE A COVER

DRAWN BY: ENOCK O. O.

CHECKED BY: Eng. M. Mukangula.

DATE
JANUARY 2021